

Application

For timber sliding panels on interior and exterior applications.

Designed for straight sliding partitions or fully glazed patio doors. Also suitable for flush panelled construction.

The bottom roller design is suited to applications where the supporting structure or lintel is insufficient for the weight of the panel or where headroom is limited.

To cover the width of opening, any number of panels can be used on single or multiple lines of rail. Panels can slide to one or both sides.

Where fitted externally, a canopy is recommended to protect the top guide channel, brackets and top guide rollers.

Panel Specification

Rail System:	Timberoll 100
For Individual Panels:	
Max Panel Height	2400mm
Max Panel Weight	100kg
Min Panel Thickness	40mm

Panels must be constructed with bottom rails of at least 150mm depth to accommodate the concealed, mortised bottom rollers. Panel weight is carried on the floor permitting the use of a light overhead structure.

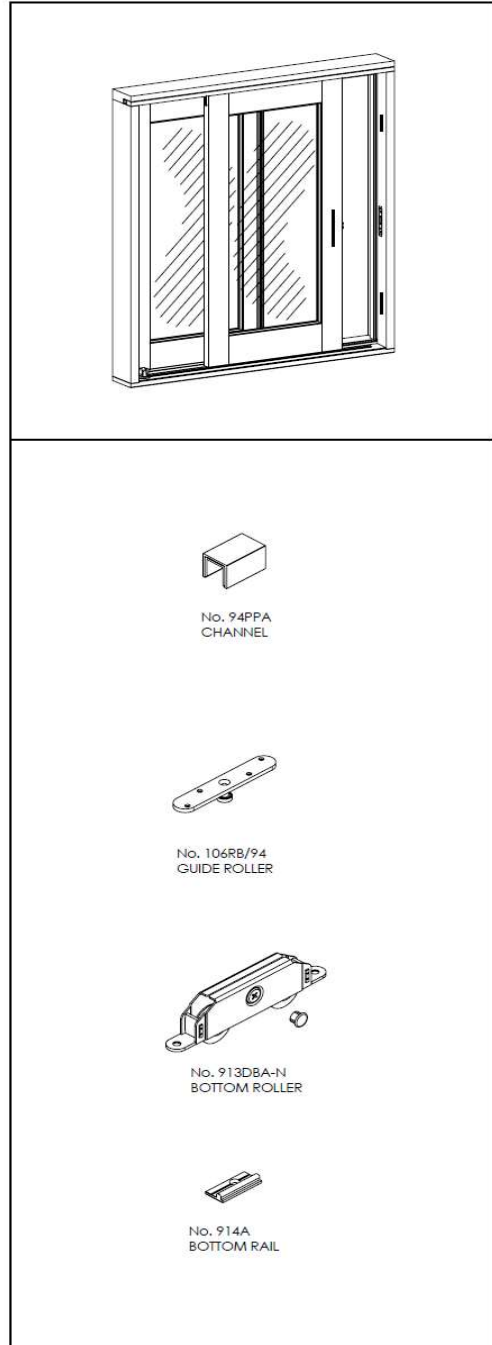
Hardware Specification

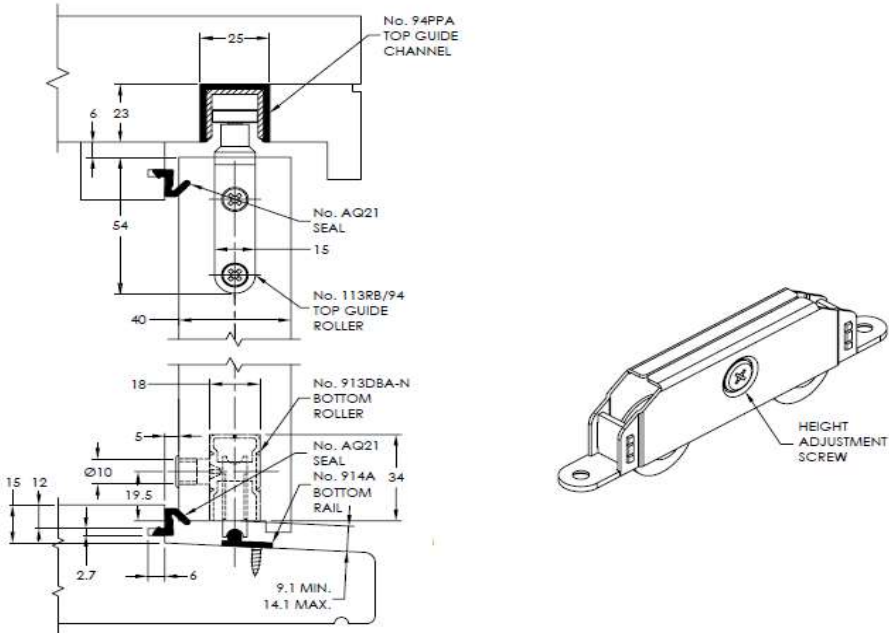
Top Guide Channel:	
Medium Duty	94PPA Aluminium Support & Polypropylene
Material	Aluminium
Finish	Mill or Clear Anodised
Standard Lengths	2000mm, 3000mm, 4000mm and 6000mm.
Heavy Duty	900 Aluminium with safety lip
Material	Aluminium
Finish	Clear Anodised
Standard Lengths	2000mm, 3000mm, 4000mm and 6000mm.

Top Guide Rollers (2 per panel):	
Top Plate Fitting	106RB/94

Bottom Rollers (2 per panel):	
Double bogie roller	913DBA - N
Plated steel construction with precision bearing nylon wheels with side access vertical adjustment.	

Bottom Rail:	
Material	914A Aluminium
Finish	Clear anodised
Standard Lengths	2000mm, 3000mm, 4000mm and 6000mm
Bottom Rail is drilled and countersunk for direct fitting.	





913DBA-N SIDE ADJUSTABLE ROLLER

